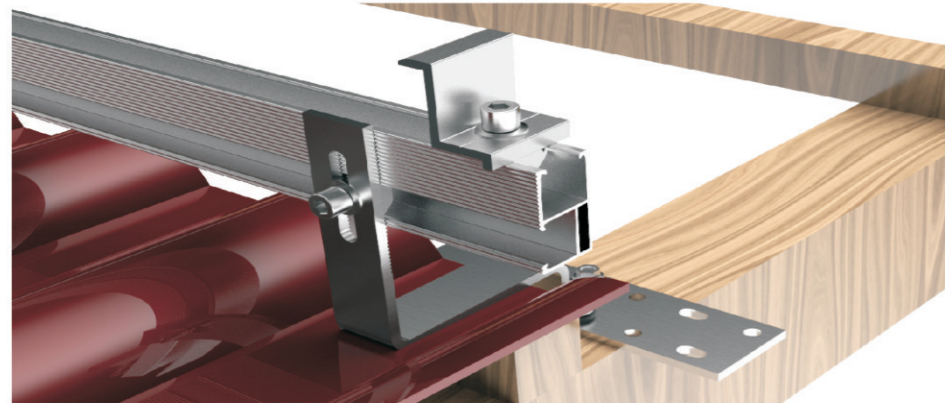


RN-7-PW-1 Roof Hook Mounting System

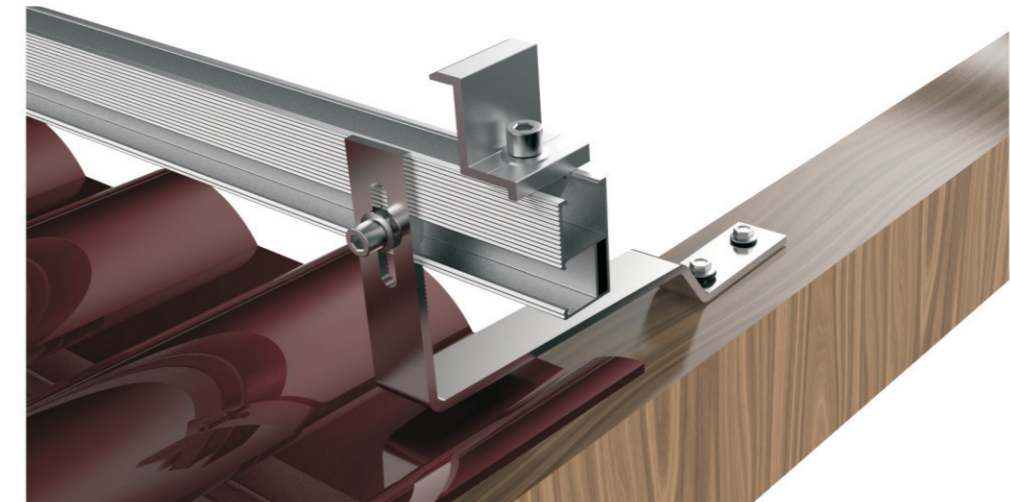


Technical Parameters
 Wind Load: 60m/s
 Snow Load: 1.5KN/m²
 Material: Stainless Steel SUS304

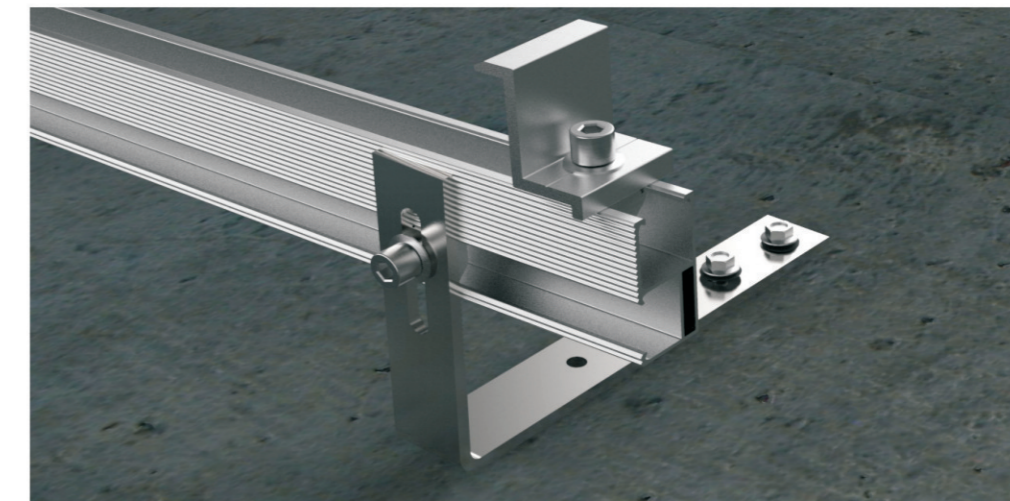
Various stainless steel hooks have advantages of fast installation, high structural strength and strong water resistance, suitable for kinds of ceramic roof.

Component List

Tile Roof Stainless Steel SUS304 Hook		
RN7-PW-A001	RN7-PW-A002	RN7-PW-A003
RN7-PW-A004	RN7-PW-A005	RN7-PW-A006
RN7-PW-A007	RN7-PW-B001	RN7-PW-B002
Screw		
RN-F-ST Self-tapping Screw(SUS410)	RN-F-WST Wood Screw	



Flat Tile Stainless Steel SUS304 Hook		
RN7-PW-C001	RN7-PW-C002	RN7-PW-C003



Slate Tile Stainless Steel SUS304 Hook		
RN7-PW-D001	RN7-PW-D002	RN7-PW-D003